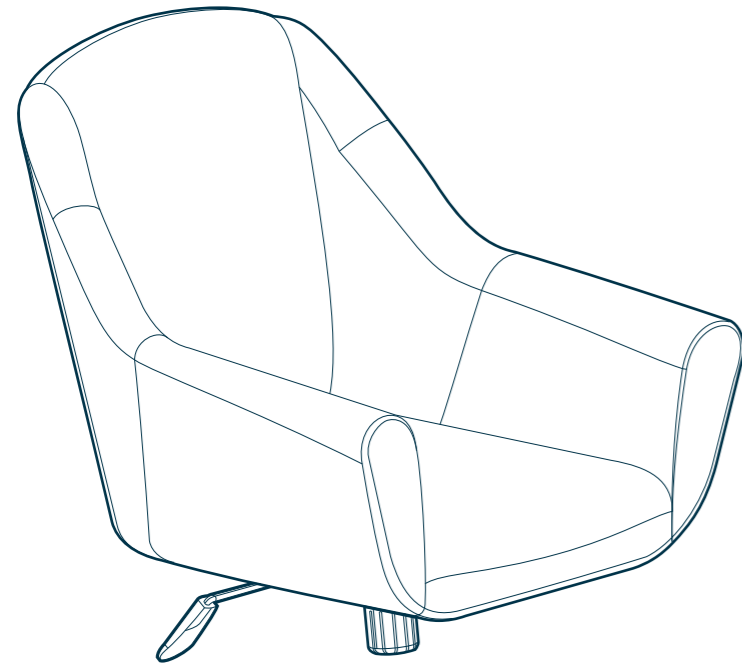


Upholstered Conference Chair


2 People
Required


Holds up to
275 lb (124.7 kg)

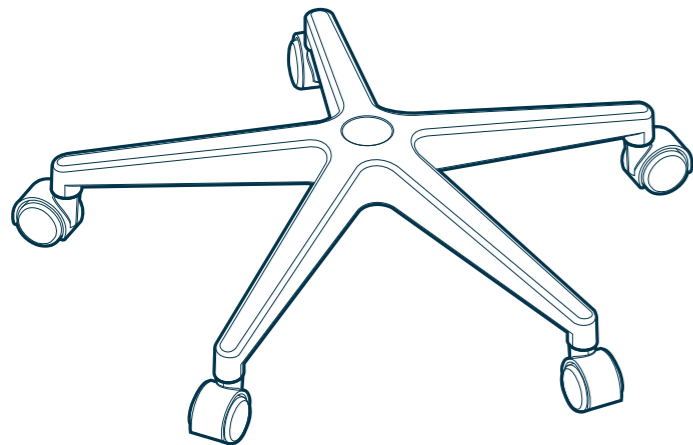
vari®



SEAT
x1

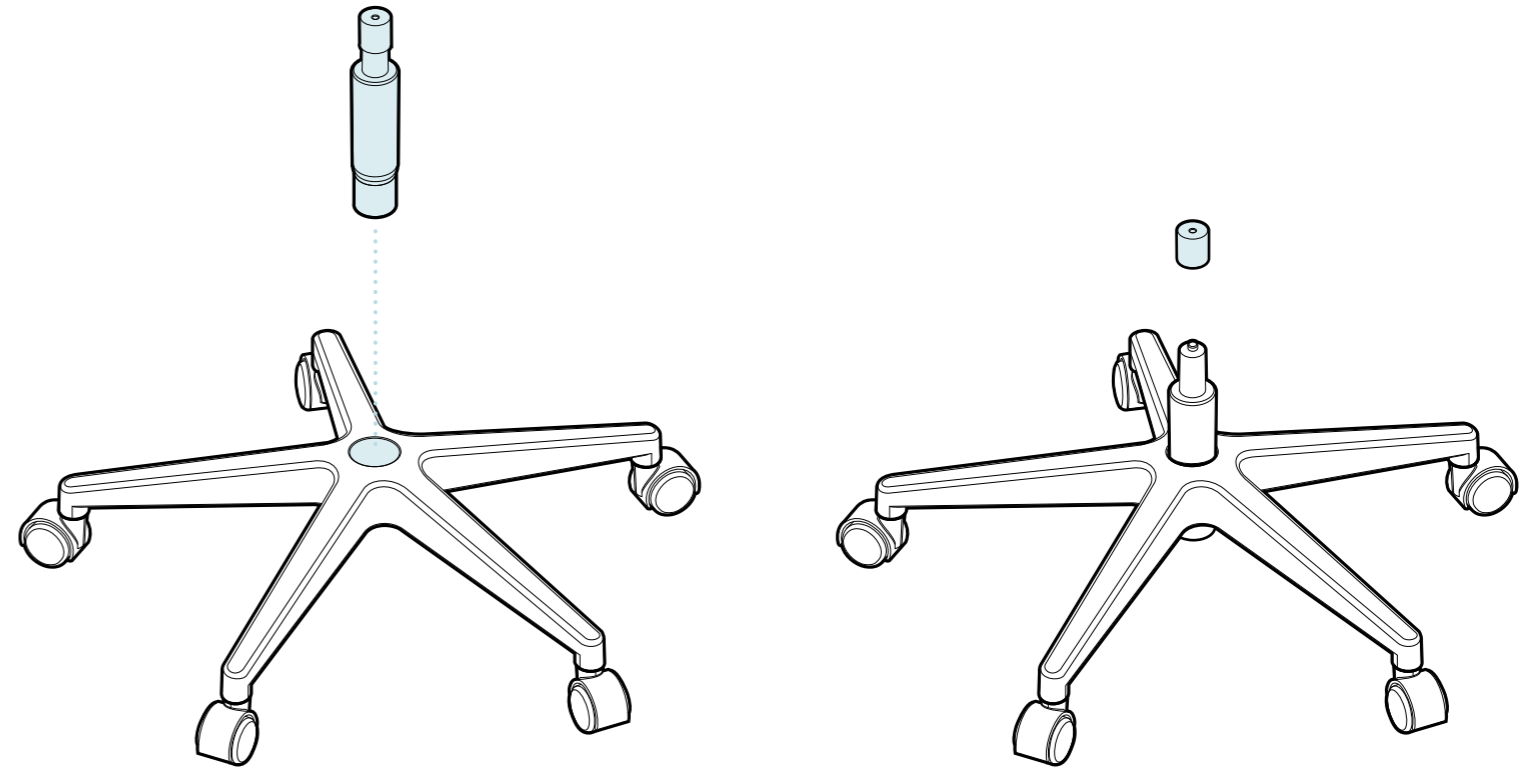


PISTON
x1



CHAIR BASE
x1

1



Place the piston into the center of the base with the smaller end pointed up. Remove the piston cap cover.



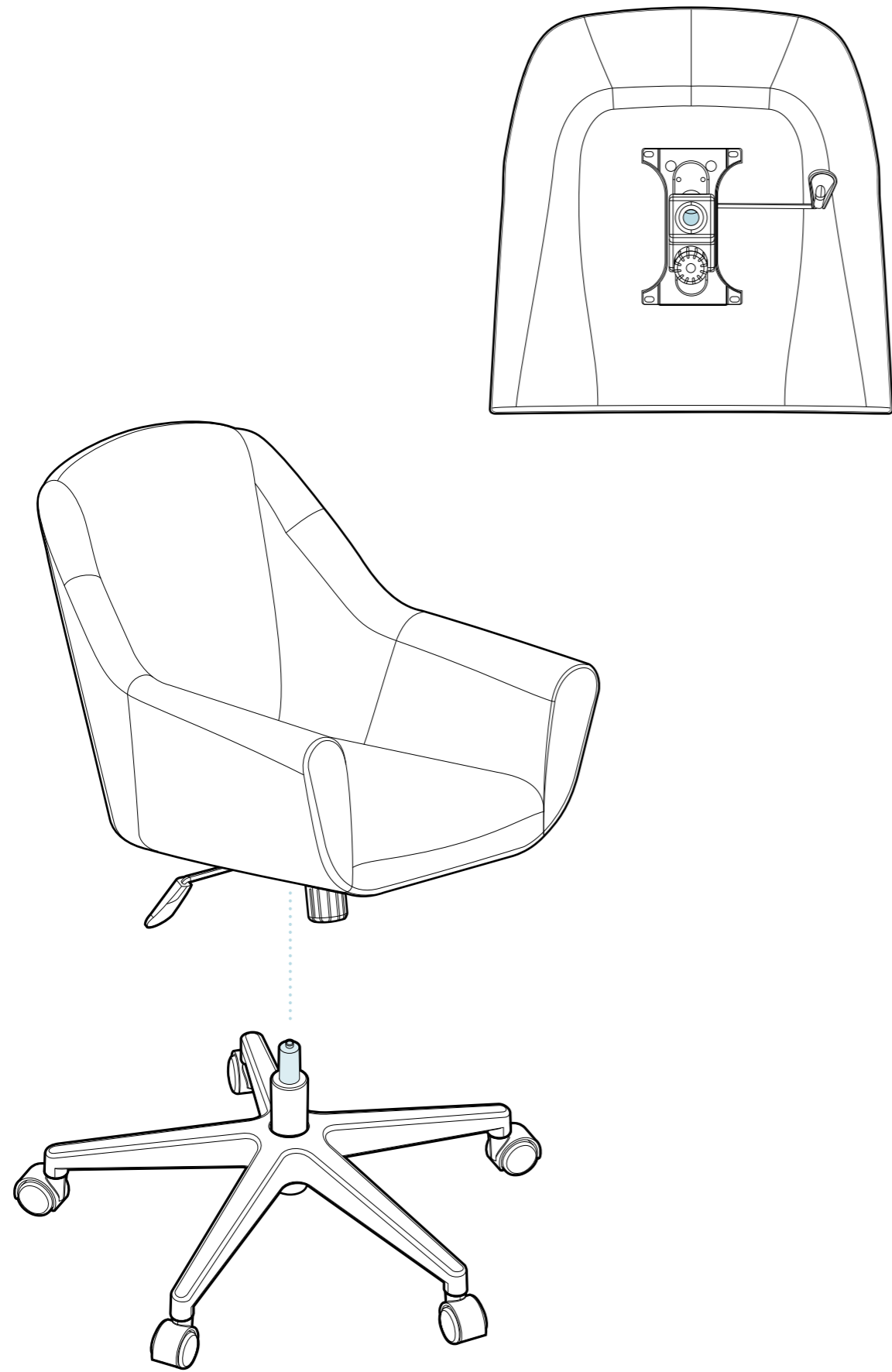
(800) 207-2587

Patent and trademark information: vari.com/patents
©2021 Varidesk, LLC All rights reserved.



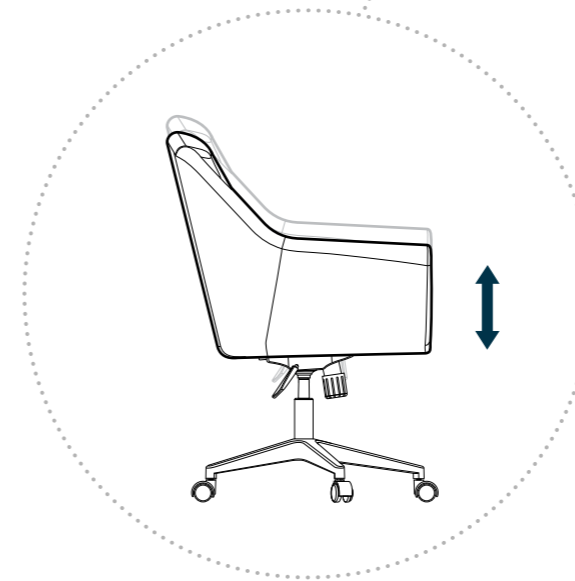
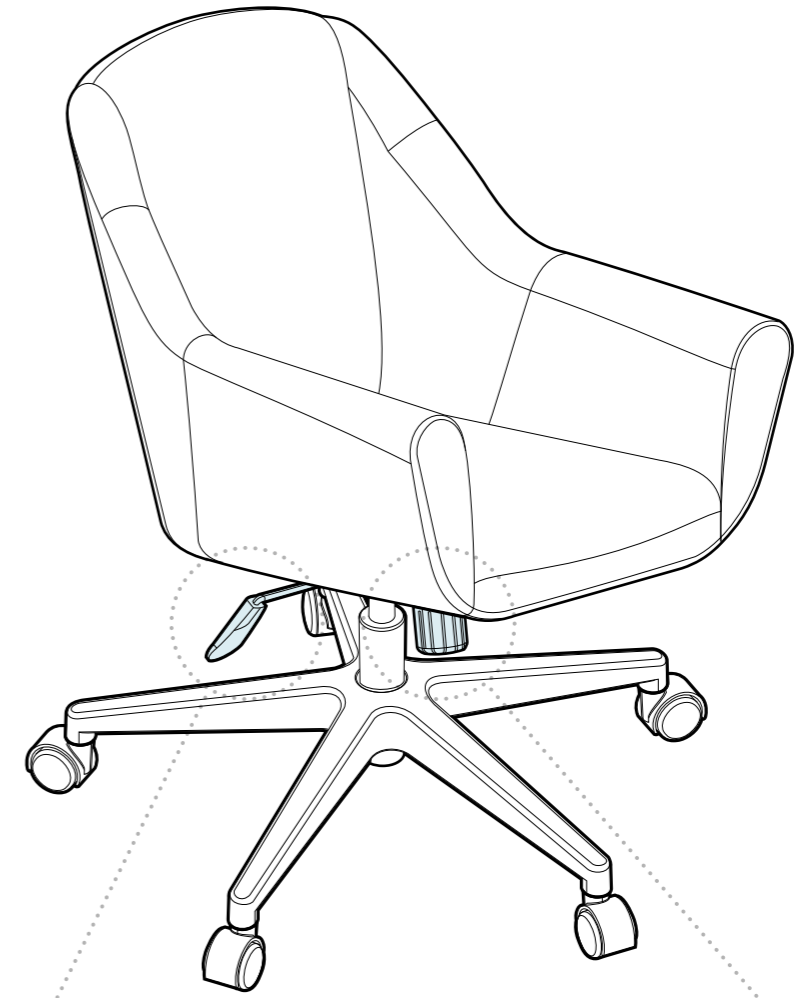
WARNING: To prevent injuries and product failure, do not use this chair for standing, climbing, or leaning. Do not use if the chair is damaged or incorrectly assembled.

2



With assistance, take the chair seat and place the highlighted section of the mechanism onto the highlighted section of the piston.

Product Adjustments



To adjust seat height, use the lever under the right side of the chair seat.



To adjust how easily the seat reclines, turn the knob under the front of the seat clockwise to increase tension and counter clockwise to decrease tension.