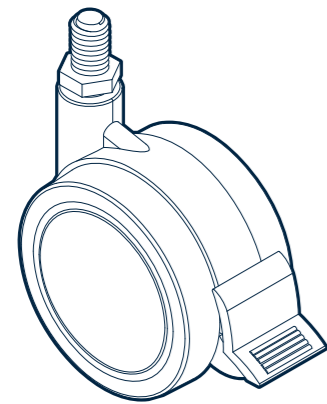


Electric Standing Desk Casters

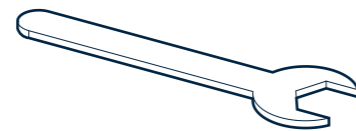


2 People Required
for Assembly

vari®

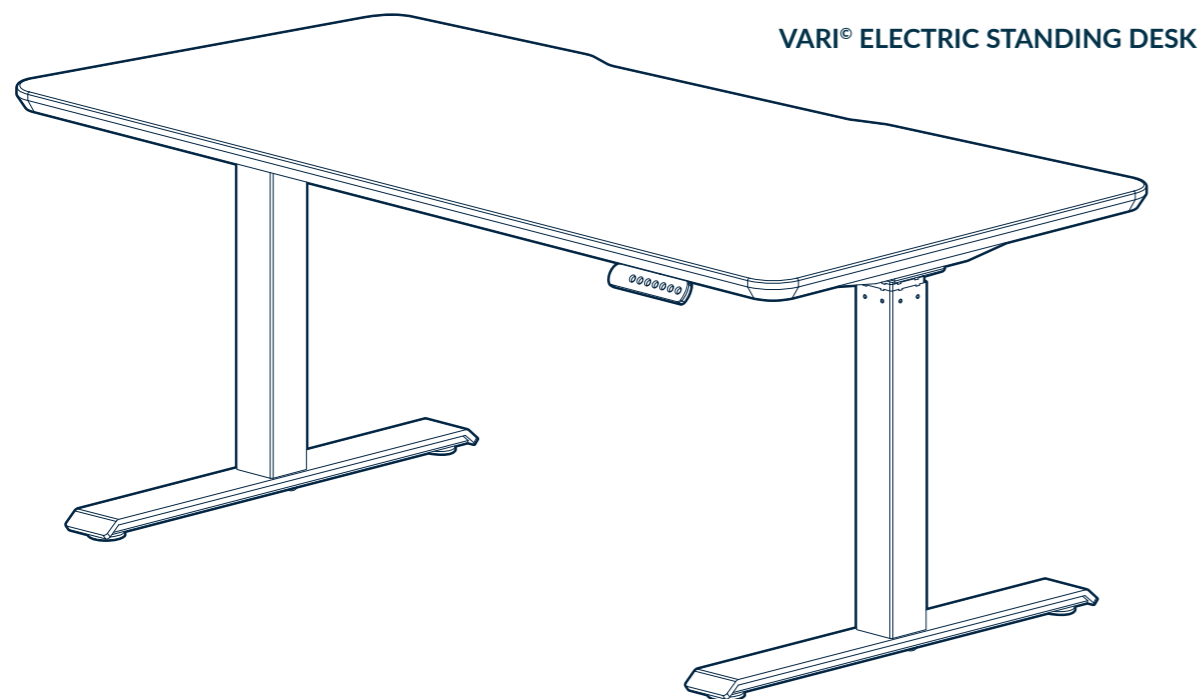


CASTER
x4



14mm WRENCH
x1

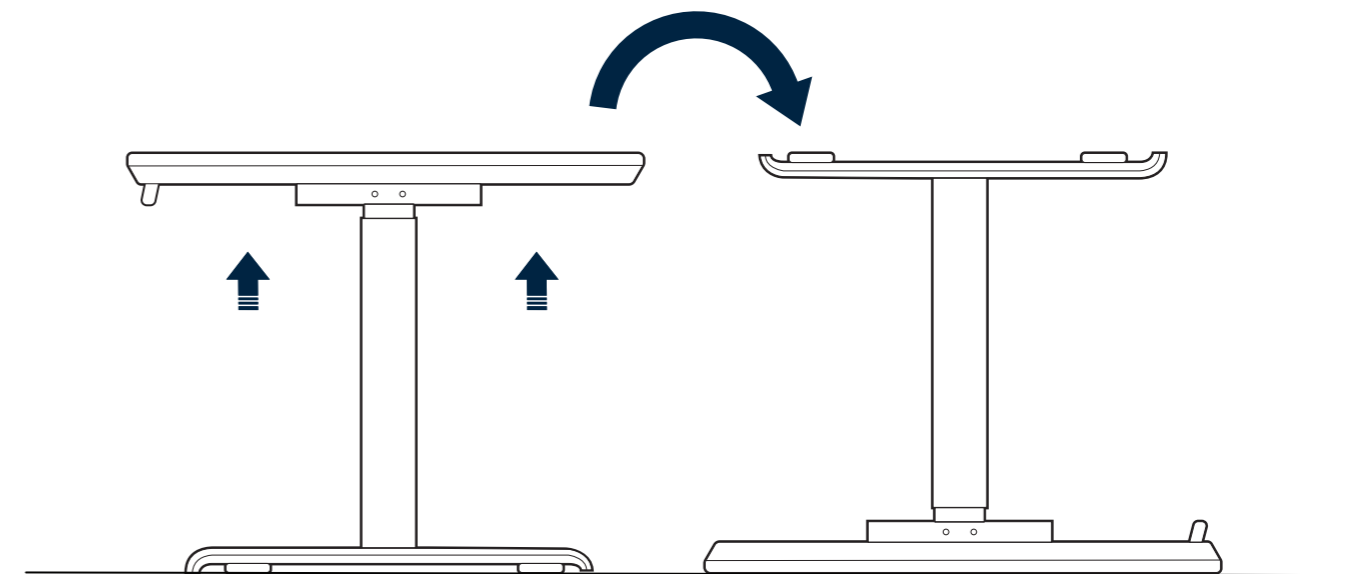
Also Needed (Sold Separately)



DESK WEIGHT CAPACITY WITH CASTERS INSTALLED

ESD 72x30	ESD 60x30	ESD 60x24	ESD 48x30	Curve ESD 60x30	Ergo ESD 54x26	Essential ESD 48x24	Essential ESD 48x24 Split Top
Up to 180 lb (81.6 kg)	Up to 200 lb (90.7 kg)	Up to 200 lb (90.7 kg)	Up to 220 lb (99.8 kg)	Up to 200 lb (90.7 kg)	Up to 200 lb (90.7 kg)	Up to 150 lb (68 kg)	Up to 150 lb (68 kg)

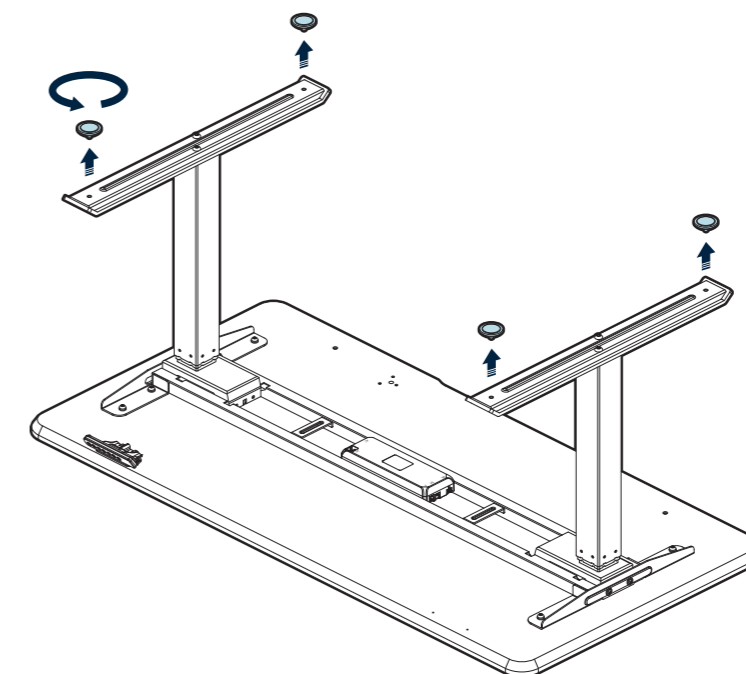
1



NOTE: We recommend installing the casters with the desk on a soft cloth or debris-free flat surface to reduce any potential scratches to the desktop.

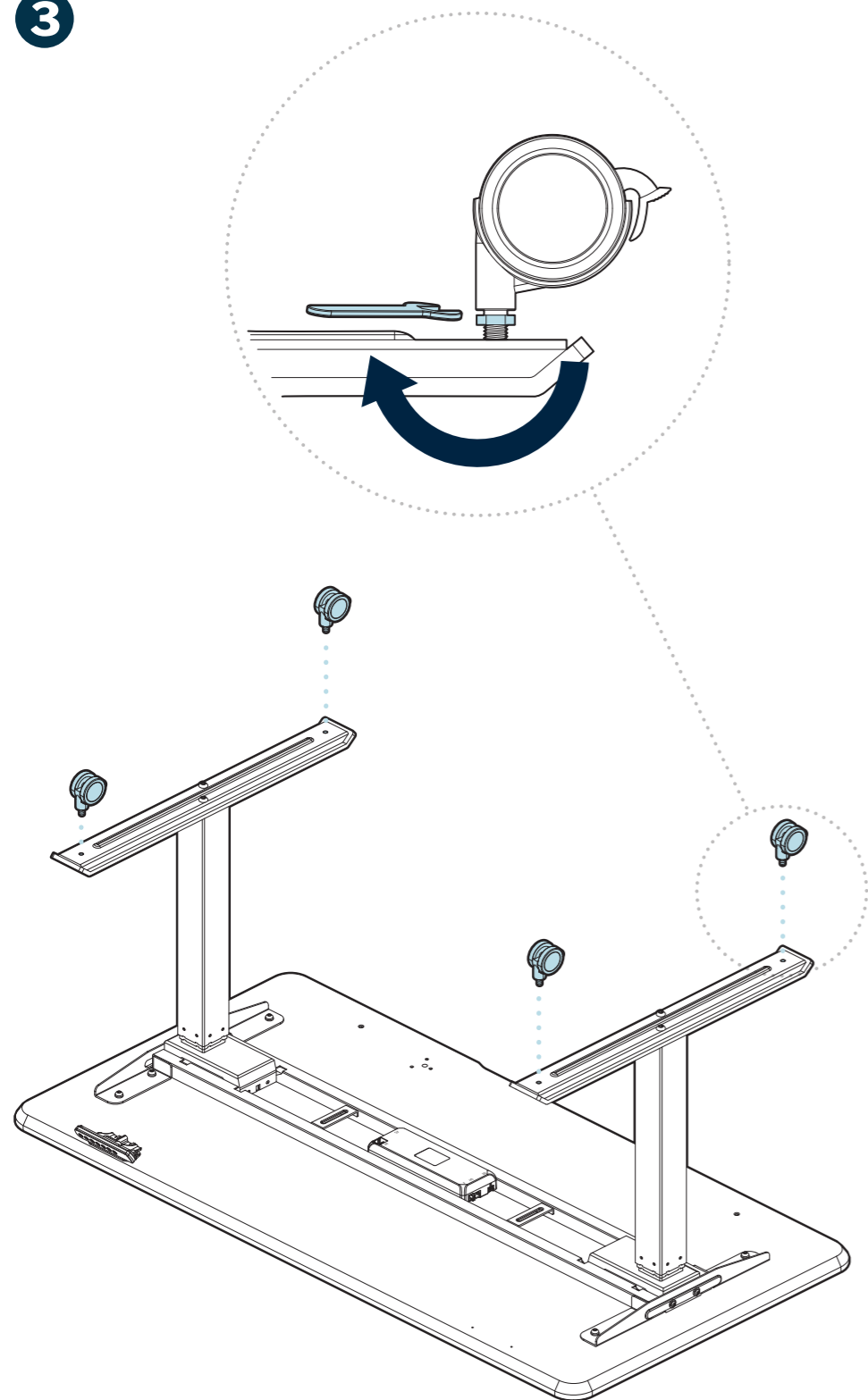
With assistance, carefully flip over the assembled desk (along its back edge, to avoid damaging the control panel) so that the legs and leveling footpads are facing up.

2



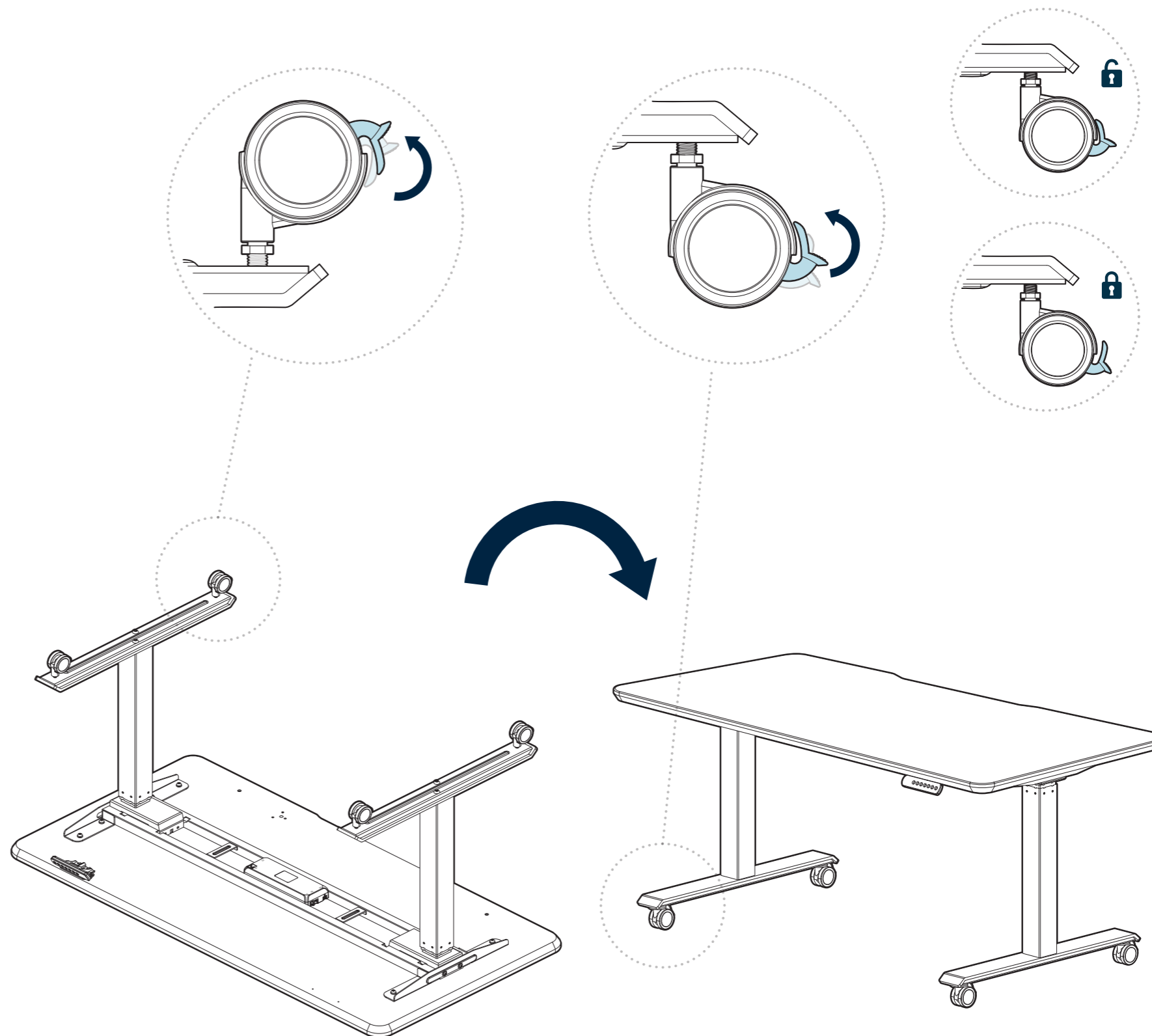
Rotate the footpads counterclockwise to detach them from the desk's feet.

3



Insert the threaded post of each caster into the now-open holes. Use the provided 14mm wrench on the caster's nut to turn the caster clockwise until fully tightened.

4



To prevent the desk from sliding, press the brake on each caster until it locks into place. Then, with assistance, carefully flip over the assembled desk (along its back edge, to avoid damaging the control panel) so that the desk is again upright.

Before rolling the desk to a different location, unlock the casters by pulling each brake lever upward. The casters can be relocked once the desk is in the desired location.

